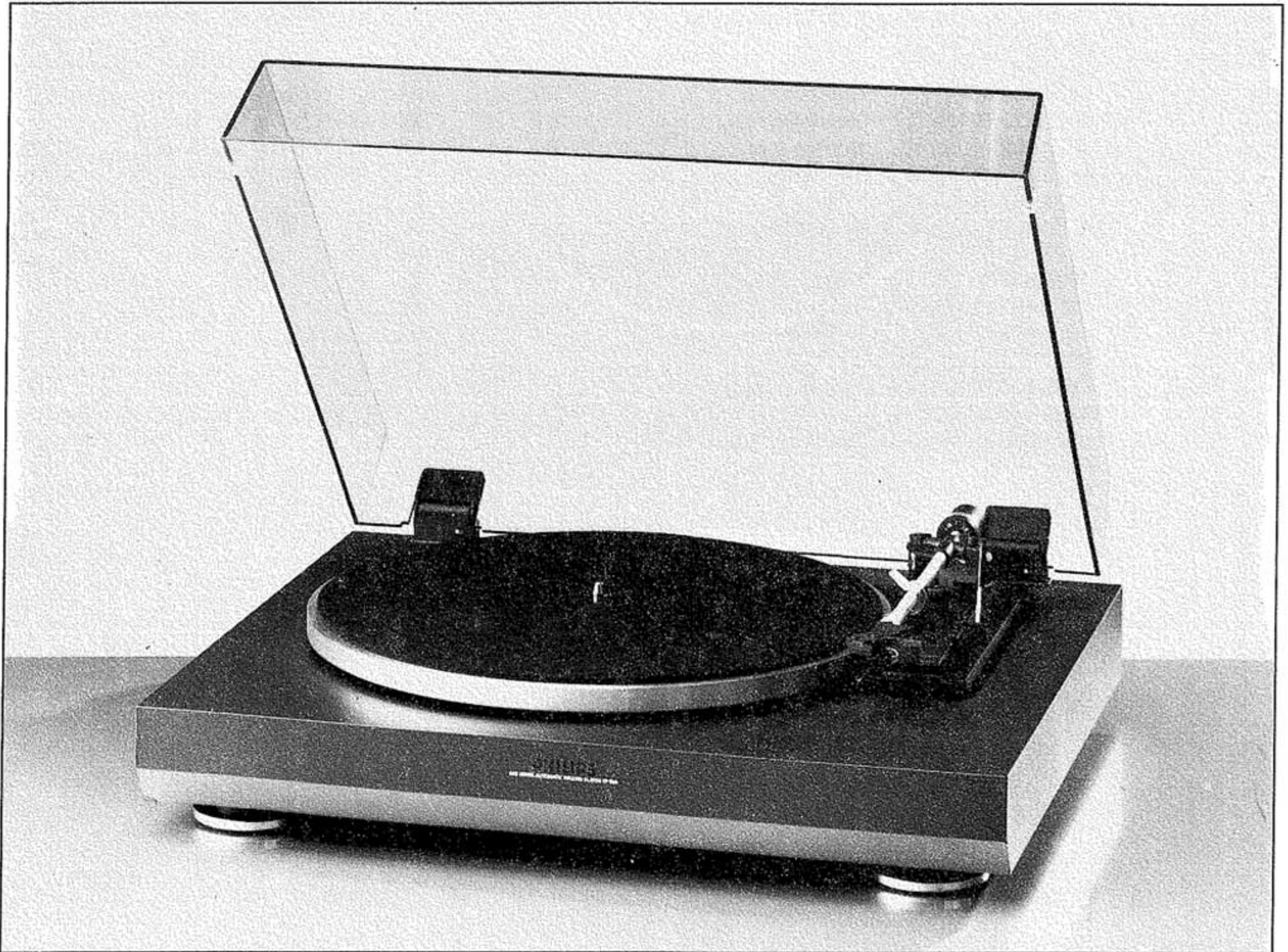


Service
Service
Service



Service Manual



TECHNISCHE DATEN:

Verdrahtungsplan/Wiring schema.

Antrieb:

Elektronisch geregelter Belt-Drive

Drehzahlen: 33 1/3 und 45 U/min.

Gleichlaufschwankungen:

< ± 0,05 / 0,035 % (DIN/WRMS)

Rumpel-Geräuschspannungs-

abstand: > 68 dB

Rumpel-Fremdspannungsabstand:

> 46 dB

Plattenteller-Durchmesser:

304 mm

Tonarm: verwindungssteifes Alu-Rohr

Effektive Tonarm-Länge: 211 mm

Kröpfungswinkel: 26 Grad

Überhang: 19,5 mm

Tangentiale Spurfehlerwinkel:

0,15 Grad/cm Rad.

Magnet-Tonabnehmer:

Ortofon OMB 10

Diamant-Nadel:

Ortofon 10, biradial 18x8 µm

Empfohlene Auflagekraft:

15 mN (12,5–17,5 mN)

Übertragungsbereich: 10–25.000 Hz

Übertragungsfaktor:

4 mV bei 5 cm/s bei 1 kHz

Compliance: 30/25 µm / mN (hor./vert.)

Tonabnehmer-Gewicht: 5 g

Kabel-Gesamtkapazität: ca. 160 pF

Netzspannung:

230 V / 50–60 Hz (Netzteil)

Leistungsaufnahme: ca. 1,5 W

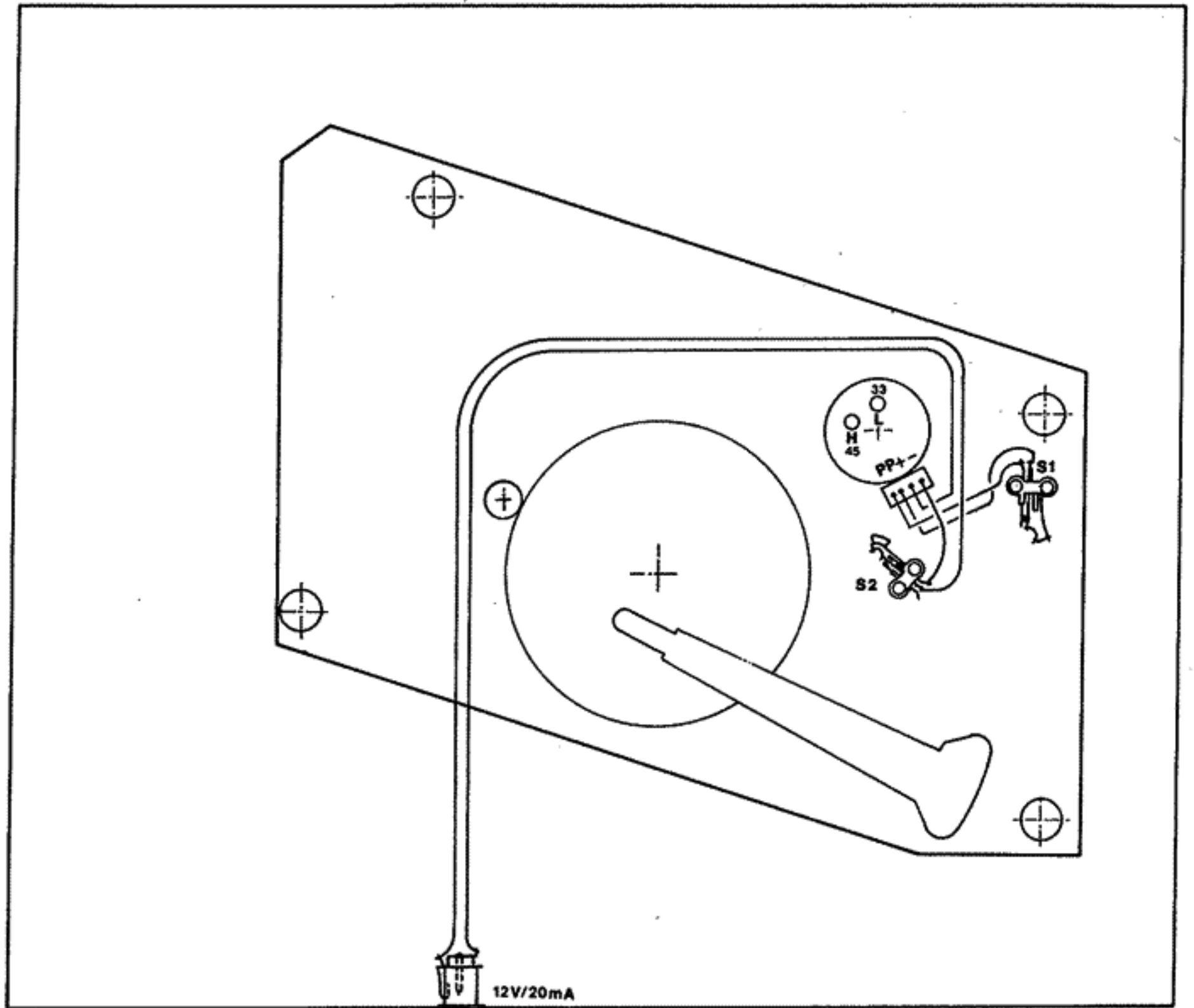
Versorgungsspannung Spieler:

12 V = DC

Gewicht (Masse): ca. 5,5 kg

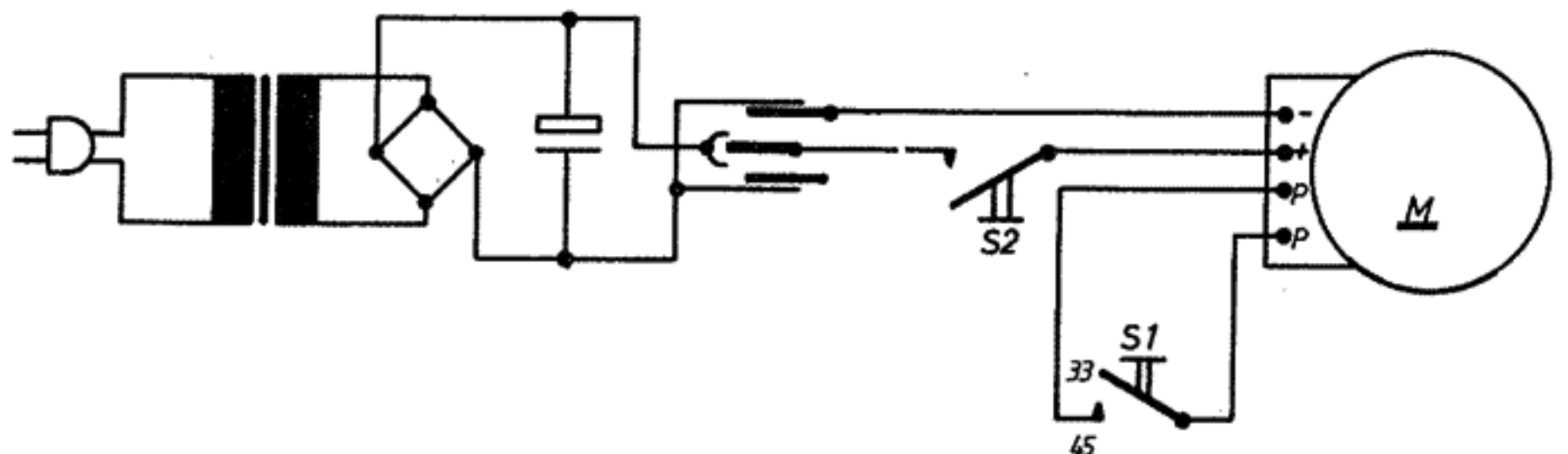
Abmessungen (BxHxT):

43,5x13,5x36,4 cm

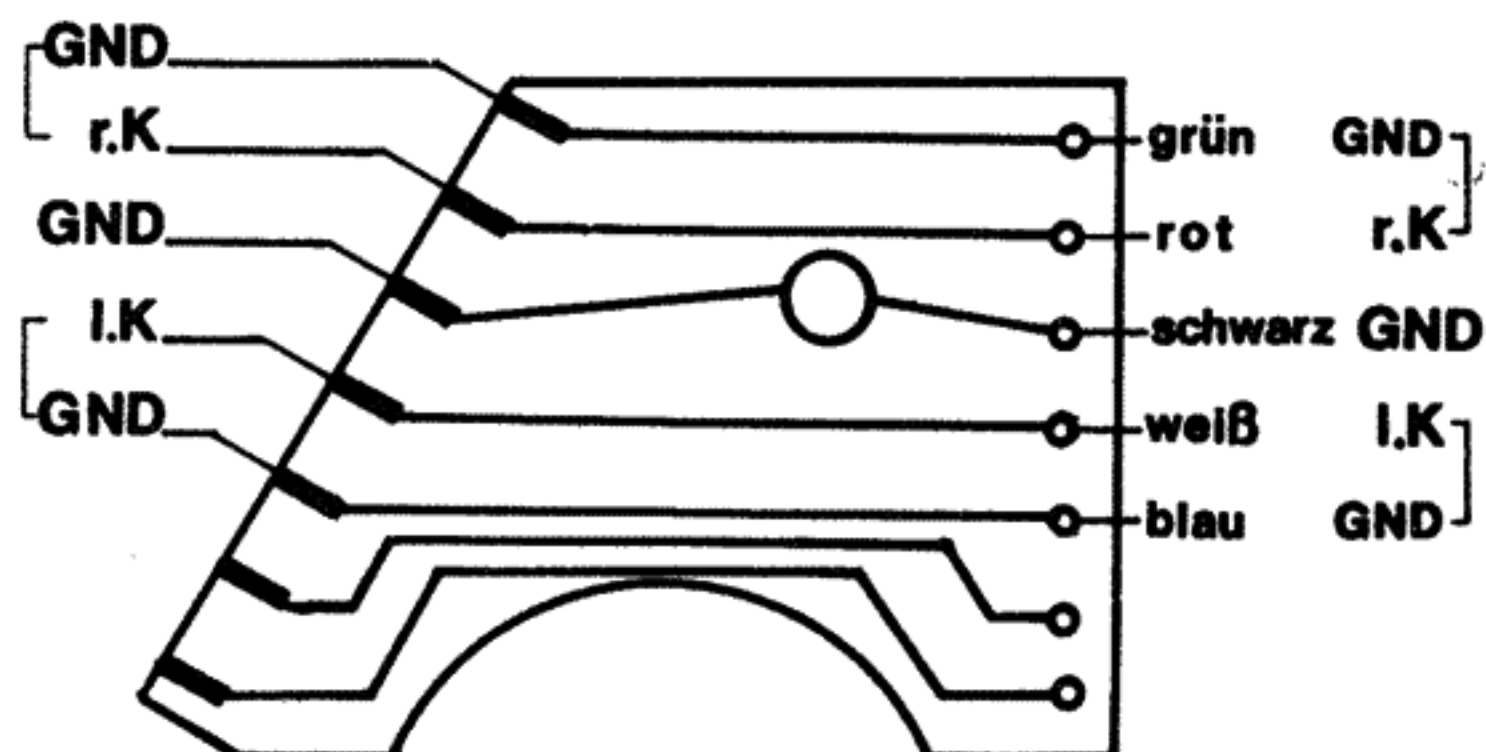


S 1 = Drehzahlsschalter/Speed selector switch.
S 2 = Motorschalter/Motor switch

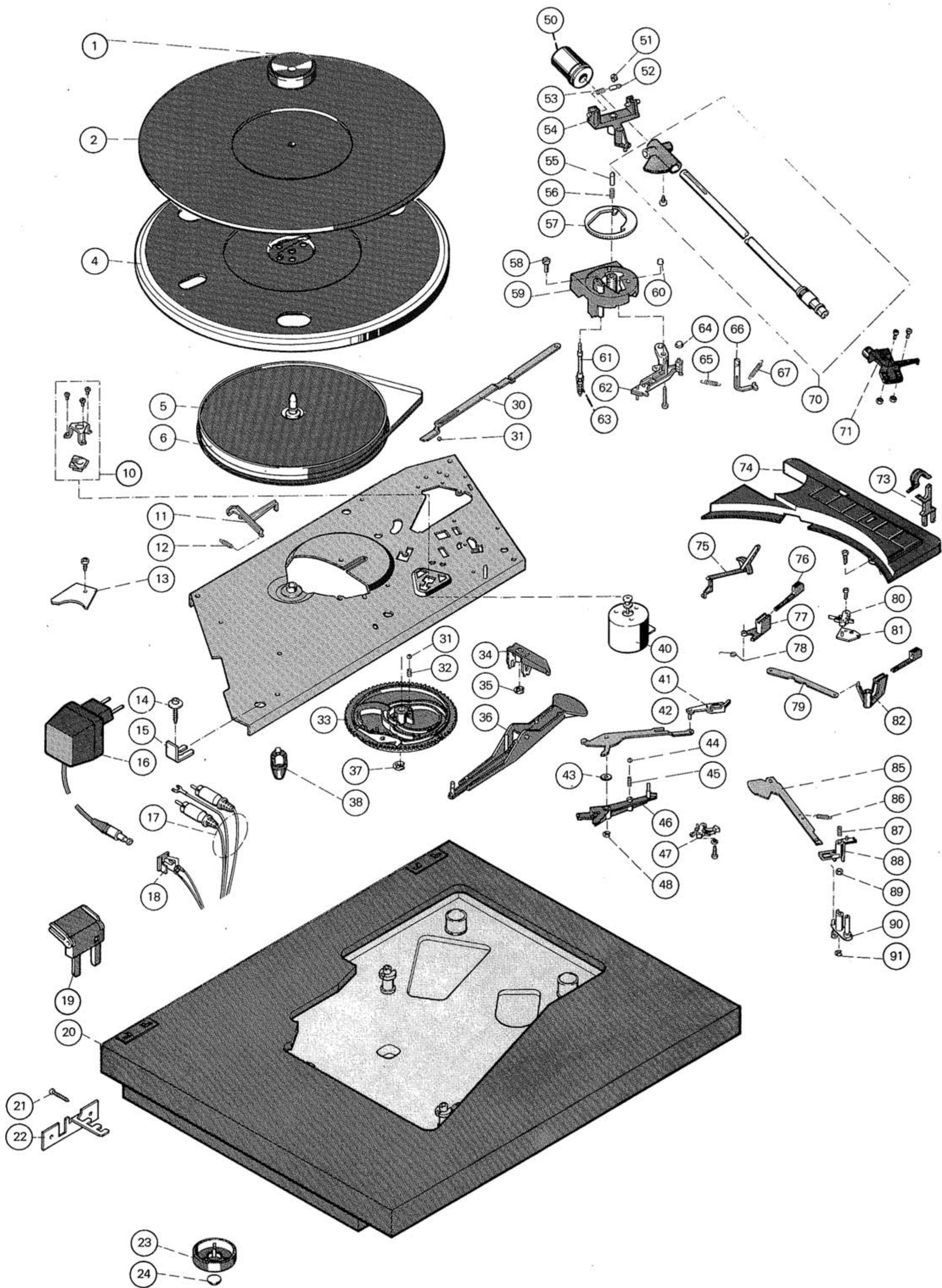
Abgleich/Alignment.
1. n33 1/3 U/min. L
2. n45 U/min. H



Anschlußplatte 7-polig
Connecting plate 7-pin



grün = green
rot = red
schwarz = black
weiß = white
blau = blue



Hi-Fi record player FP930

| Position | Codenummer | Description | Position | Codenummer | Description |
|-----------------|-------------------|----------------------|-----------------|-------------------|----------------------|
| 1 | 4822 535 60124 | Adaptor | 52 | 4822 520 10746 | Bearing fork |
| 2 | 4822 528 10869 | Turntable platter | 53 | 4822 492 52343 | Pressure ring |
| 5 | 4822 528 10852 | Turntable | 54 | 4822 402 61481 | Bearing hinge |
| 6 | 4822 358 31203 | Belt | 55 | 4822 535 93362 | Balancing point |
| 10 | 4822 402 61437 | Fixing part motor | 56 | 4822 492 52346 | Pressure spring |
| 11 | 4822 402 61452 | Start lever | 57 | 4822 532 12216 | Skating ring |
| 12 | 4822 492 33374 | Tension spring | 58 | 4822 502 21286 | Plastite M3x6 |
| 13 | 4822 466 82946 | Printed board panel | 59 | 4822 466 82974 | Tone arm basement |
| 14 | 4822 502 21284 | Screw 4x20 | 60 | 4822 526 41021 | Control pin |
| 15 | 4822 402 61439 | Distant piece | 61 | 4822 535 71314 | Lift pin |
| 16 | 4822 321 10872 | Power supply neutral | 62 | 4822 402 61482 | Segment |
| 17 | 4822 321 61705 | Cinch cord | 63 | 4822 492 52347 | Pressure spring |
| 18 | 4822 267 31524 | DC supply socket | 64 | 4822 532 12184 | Case |
| 19 | 4822 417 11175 | Hinge | 65 | 4822 492 33372 | Tension spring |
| 20 | 4822 444 60887 | Dust cover | 66 | 4822 402 61445 | Skating lever |
| 21 | 4822 502 21285 | Screw 3.5x20 ZN | 67 | 4822 492 33373 | Tension spring |
| 22 | 4822 402 61479 | Fixation lever | 70 | 4822 251 70334 | Tone arm |
| 24 | 4822 462 41989 | Foot rubber | 71 | 4822 251 11029 | Tone arm head |
| 30 | 4822 402 61438 | Adjust lever | 73 | 4822 402 61447 | Tone arm support |
| 31 | 4822 520 40295 | Ball 4 DIN5401 KL3 | 75 | 4822 402 61448 | Lift lever silver |
| 32 | 4822 492 52348 | Pressure spring | 76 | 4822 402 61444 | Sound switch |
| 33 | 4822 522 33295 | Control wheel | 77 | 4822 402 61443 | Switch fork |
| 34 | 4822 402 61459 | Fork | 78 | 4822 492 71273 | Spring |
| 35 | 4822 530 70124 | Retaining ring 4 | 79 | 4822 466 82949 | Switch lever |
| 36 | 4822 402 61441 | Command lever | 80 | 4822 271 30784 | Micro switch |
| 37 | 4822 530 70125 | Retaining ring 5 | 81 | 4822 466 82947 | Distant piece |
| 38 | 4822 462 71888 | Rubber stop | 82 | 4822 402 50301 | Switch lever |
| 40 | 4822 361 21546 | DC-motor Dual DC 205 | 85 | 4822 466 82948 | Adjust lever |
| 41 | 4822 402 61451 | Lever | 86 | 4822 492 33371 | Tension spring |
| 42 | 4822 402 61449 | Switch lever | 87 | 4822 492 52345 | Pressure spring |
| 43 | 4822 532 52503 | Disc 5.1 x 10x0.75 | 88 | 4822 520 10739 | Bearing |
| 44 | 4822 520 40296 | Ball 5 DIN5401 KL3 | 89 | 4822 505 10743 | Lock nut M3 |
| 45 | 4822 492 52344 | Pressure spring | 90 | 4822 535 71313 | Lever |
| 46 | 4822 402 61458 | Hook lever switch | 91 | 4822 530 70123 | Retaining ring 3.2 |
| 47 | 4822 271 30785 | Micro switch | | 4822 736 21603 | Instruct. for use PH |
| 48 | 4822 530 70124 | Retaining ring 4 | | — | Cartridge |
| 50 | 4822 691 30306 | Counter weight | | | Ortofon OMB 10 |
| 51 | 4822 530 70043 | Retaining 2.3 | | — | Stylus Ortofon 10 |